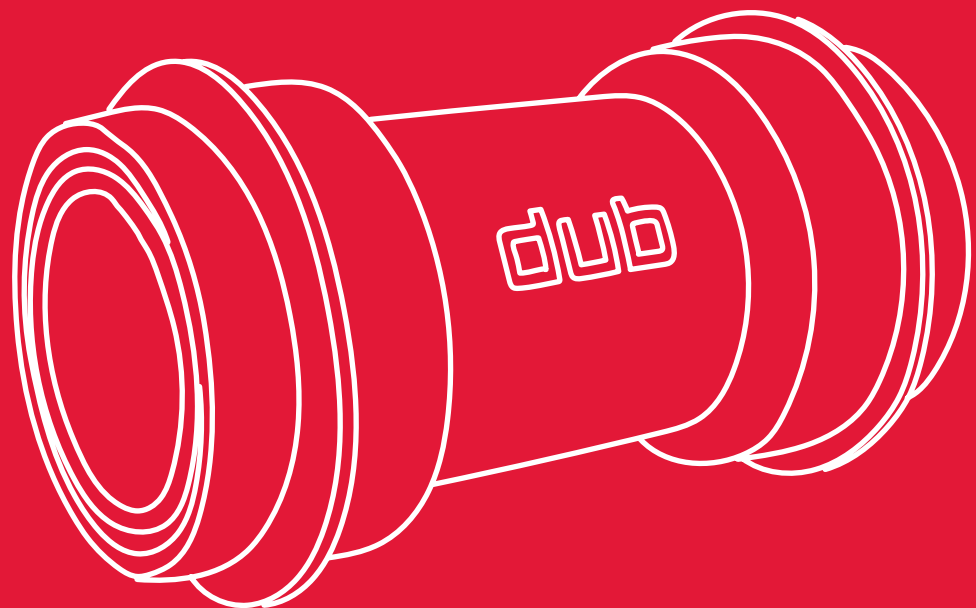


SRAM

DUB
BOTTOM
BRACKET
FINDER



DUB BOTTOM BRACKET FINDER

SRAM MTB

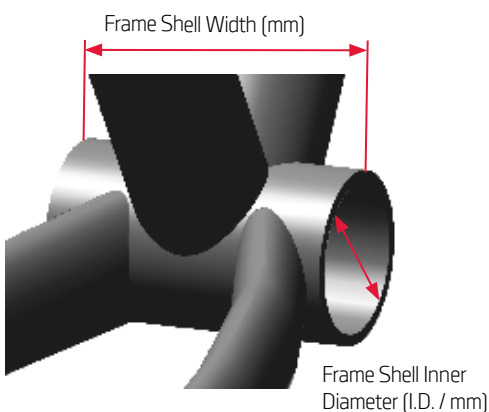
Follow the chart to determine which bottom bracket works with your frame.

Is the frame shell threaded?

YES

NO

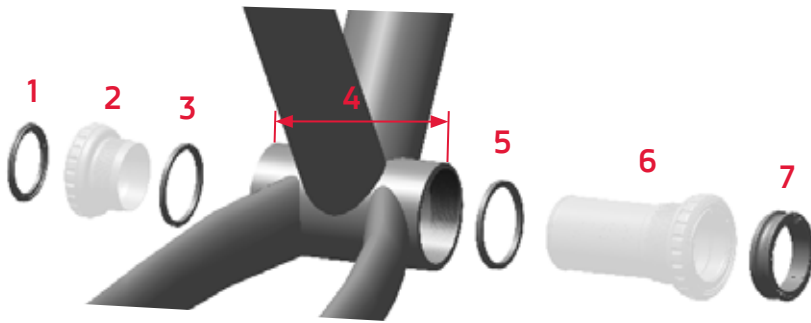
Frame Shell Width (mm)	Rear Axle OLD (mm)	Frame Shell I.D. (mm)	Bottom Bracket Name	Part Number
68			DUB BSA MTB 68	00.6418.015.000
73	135, 142, 148		DUB BSA MTB 73	00.6418.015.000
			DUB BSA MTB 73 with Chain Guide	00.6418.015.000
			DUB BB30 73-A Road-Wide	00.6418.017.002
	157		DUB BSA MTB 73 SB+	00.6418.019.000
			DUB BSA MTB 73 SB+ with Chain Guide	00.6418.021.000
83			DUB BSA MTB 83	00.6418.015.002
			■ DUB BSA MTB 83-Ai	00.6418.031.000
100			DUB BSA MTB 100	00.6418.015.001
73		42	DUB BB30 MTB 73	00.6418.017.000
		46	DUB PF30 MTB 73	00.6418.018.000
83		42	■ DUB BB30 MTB 83-Ai	00.6418.027.002
		46	■ DUB PF30 MTB 83-Ai	00.6418.028.003
89,5			DUB PF MTB 89.5	00.6418.016.000
92	135, 142, 148		DUB PF MTB 92	00.6418.016.000
	157		DUB PF MTB 92 SB+	00.6418.020.000
104,5			DUB PF MTB 104.5	00.6418.016.002
107			DUB PF MTB 107	00.6418.016.003
121			DUB PF MTB 121	00.6418.016.001



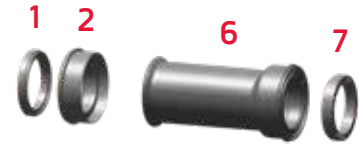
■ Cannondale® only

DUB MTB CRANKSET BOTTOM BRACKET SPACERS

DUB BSA



DUB PressFit



DUB BB30 / DUB PressFit 30



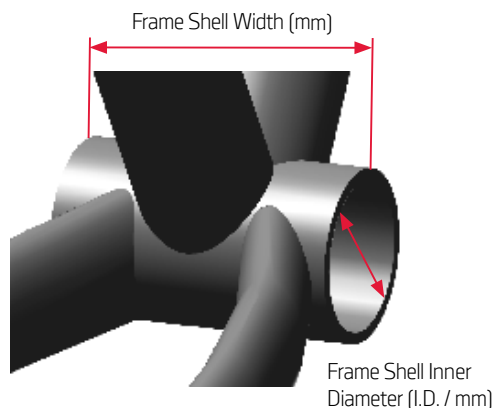
- 1** Outer left, non-drive side spacer
- 2** Left side cup
- 3** Inner left, non-drive side spacer
- 4** Frame shell width

- 5** Inner right, drive side spacer
- 6** Right side cup and center tube
- 7** Outer right, drive side spacer

	4 Frame Shell Width (mm)	1 Outer Left Spacer (mm)	3 Inner Left Spacer (mm)	5 Inner Right Spacer (mm)	7 Outer Right Spacer (mm)	
DUB BSA	68	-	2.5	2.5	4.5	
	73	73	-	-	-	4.5
		With Chain Guide	-	-	2.5 or with Chain Guide	2
		Super Boost+	4.5	-	-	9
		Super Boost+ with Chain Guide	4.5	-	2.5 or with Chain Guide	6.5
	83	DH	-	2.5	2.5	4.5
		Ai	-	-	-	5.5
100	2	2.5	2.5	6		
DUB PressFit	89.5	-	-	-	4.5	
	92	92	-	-	-	2
		Super Boost+	4.5	-	-	6.5
	104.5	-	-	-	4.5	
	107	-	-	-	2	
121	2	-	-	6		
DUB PressFit 30	73	-	-	-	4.5	
	83-Ai	-	-	-	5.5	
DUB BB30	73	-	-	-	4.5	
	83-Ai	-	-	-	5.5	

SRAM ROAD

Follow the chart to determine which bottom bracket works with your frame.



Is the frame shell threaded?

NO

YES

Frame Shell Width (mm)	Frame Shell I.D. (mm)	Crankset	Bottom Bracket Name	Part Number
68	42	Road	DUB BB30 68 Road	00.6418.017.000
		Road-Wide	DUB BB30 68 Road-Wide	00.6418.017.003
	46	Road	DUB PF30 68 Road	00.6418.018.000
		Road-Wide	DUB PF30 68 Road-Wide	00.6418.018.001
73	42	Road	■ DUB BB30 73-A Road	00.6418.027.000
		Road-Wide	■ DUB BB30 73 Road-Wide	00.6418.017.000
			■ DUB BB30 73-A Road-Wide	00.6418.017.002
	46	Road	■ DUB PF30 73-A Road	00.6418.028.001
		Road-Wide	■ DUB PF30 73 Road-Wide	00.6418.018.000
			■ DUB PF30 73-A Road-Wide	00.6418.018.004
79	46	Road	● DUB PF30 79-A Road	00.6418.028.000
		Road-Wide	● DUB PF30 79-A Road-Wide	00.6418.018.003
83	42	Road-Ai	■ DUB BB30 83-A Road Ai	00.6418.027.001
	46	Road-Ai	■ DUB PF30 83-A Road Ai	00.6418.028.002
86.5	41	Road	DUB PF 86.5 Road	00.6418.025.000
		Road-Wide	DUB PF 86.5 Road-Wide	00.6418.016.004
	46	Road	DUB BB386 86.5 Road	00.6418.026.000
		Road-Wide	DUB BB386 86.5 Road-Wide	00.6418.018.005
90.5	37		* ► GXP® crank with BB90	
68	English Threaded	Road	DUB BSA 68 Road	00.6418.015.000
		Road-Wide	DUB BSA 68 Road-Wide	00.6418.015.004
70	Italian Threaded	*GXP crank with GXP Italian Threaded BB		
73	English Threaded	Road-Wide	DUB BSA 73 Road-Wide	00.6418.015.000
85.5	English Threaded	Road	DUB T47 85.5 Road	00.6418.033.000
		Road-Wide	DUB T47 85.5 Road-Wide	00.6418.033.001

* No DUB option available for this BB.. Please use the option shown.

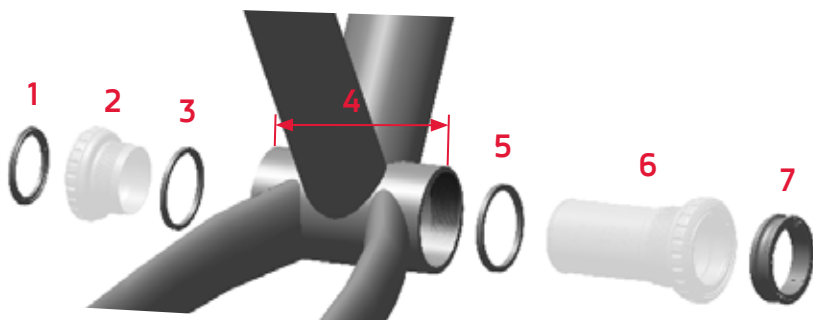
■ Cannondale® only

● Cervelo®: BBRight™ only

► Trek® only: Contact Trek for BB.

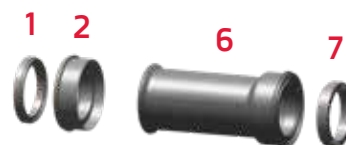
DUB ROAD CRANKSET BOTTOM BRACKET SPACERS

DUB BSA



- 1** Outer left, non-drive side spacer
- 2** Left side cup
- 3** Inner left, non-drive side spacer
- 4** Frame shell width
- 5** Inner right, drive side spacer
- 6** Right side cup and center tube
- 7** Outer right, drive side spacer

DUB PressFit



DUB BB30 / DUB PressFit 30



DUB T47



4 Frame Shell Interface and Width (mm)		Crankset	1 Outer Left Spacer (mm)	3 Inner Left Spacer (mm)	5 Inner Right Spacer (mm)	7 Outer Right Spacer (mm)
DUB BSA	68	Road	-	-	-	3
		Road - Wide	2.5	-	-	5.5
	73	Road - Wide	-	-	-	3
DUB PressFit	86.5	Road	-	-	-	3
		Road - Wide	2.5	-	-	5.5
DUB PressFit 30	68	Road	-	-	-	3
		Road - Wide	2.5	-	-	5.5
	73	Road - Wide	-	-	-	3
		Road	-	-	-	3
	73 - A	Road	-	-	-	3
		Road - Wide	2.5	-	-	5.5
	79 - A	Road	-	-	-	3
Road - Wide		2.5	-	-	5.5	
83 - A	Road - Ai	6	-	-	9	
DUB BB386	86.5	Road	-	-	-	2
		Road - Wide	2.5	-	-	4.5
DUB BB30	68	Road	-	-	-	3
		Road - Wide	2.5	-	-	5.5
	73	Road - Wide	-	-	-	3
		Road	-	-	-	3
	83 - A	Road - Ai	-	-	-	4.5
DUB T47	85.5	Road	-	-	-	3
		Road - Wide	2.5	-	-	5.5